



Spare Parts List

(1.008-017.0)

ADMIRAL 8 115V

From Serial Number (Ref No1*)

*See Serial Number Page
or call manufacturer

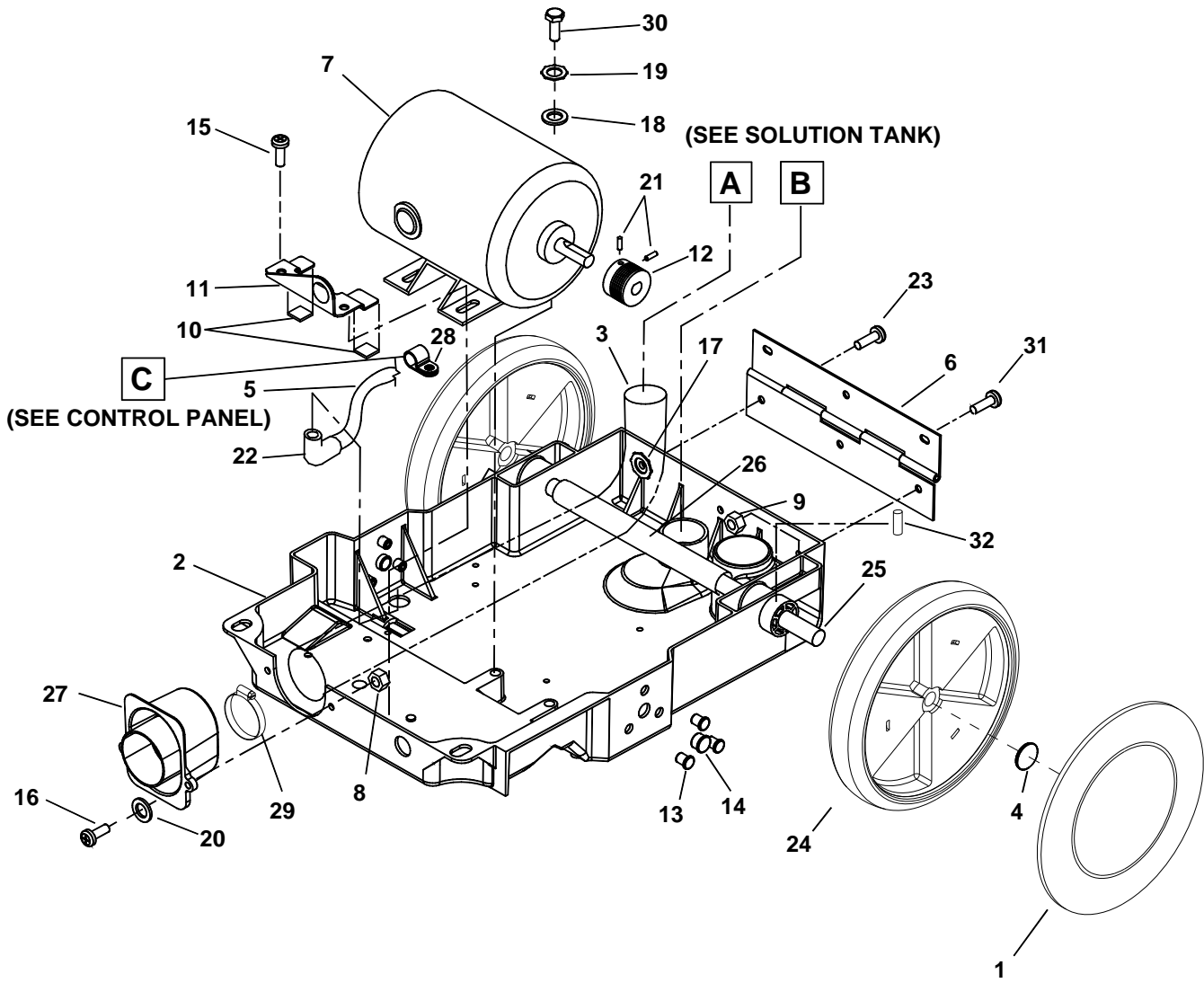
How to Use this Spare Parts List

The PARTS LIST section contains assembled parts illustrations and corresponding parts list. The parts lists include a number of columns of information:

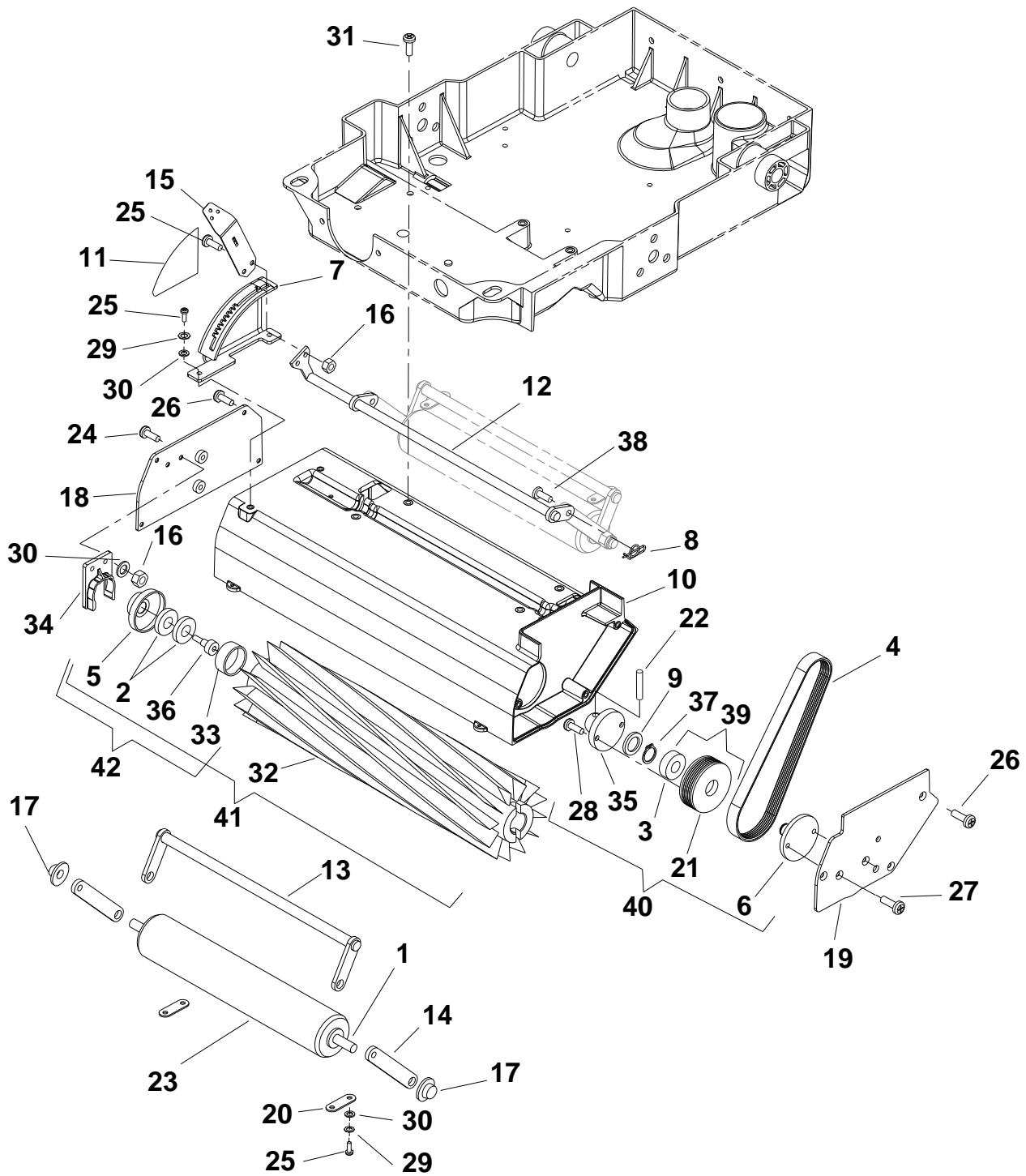
- REF - column refers to the reference number on the parts illustration.
- PART NO. - column lists the part number for the part.
- QTY - column lists the quantity of the part used in that area of the machine.
- DESCRIPTION - column is a brief description of the part.
- SERIAL NO. FROM - If this column has an (*) and a Reference number, see the SERIAL NUMBERS page in the back of your manual. If column has two asterisk (**), call manufacturer for serial number. The serial number indicates the first machine the part number is applicable to. The main illustration shows the most current design of the machine. When a boxed illustration is shown, it displays the older design.
- NOTES - column for information not noted by the other columns.

NOTE: *If a service or option kit is installed on your machine, be sure to keep the KIT INSTRUCTIONS which came with the kit. It contains replacement parts numbers needed for ordering future parts.*

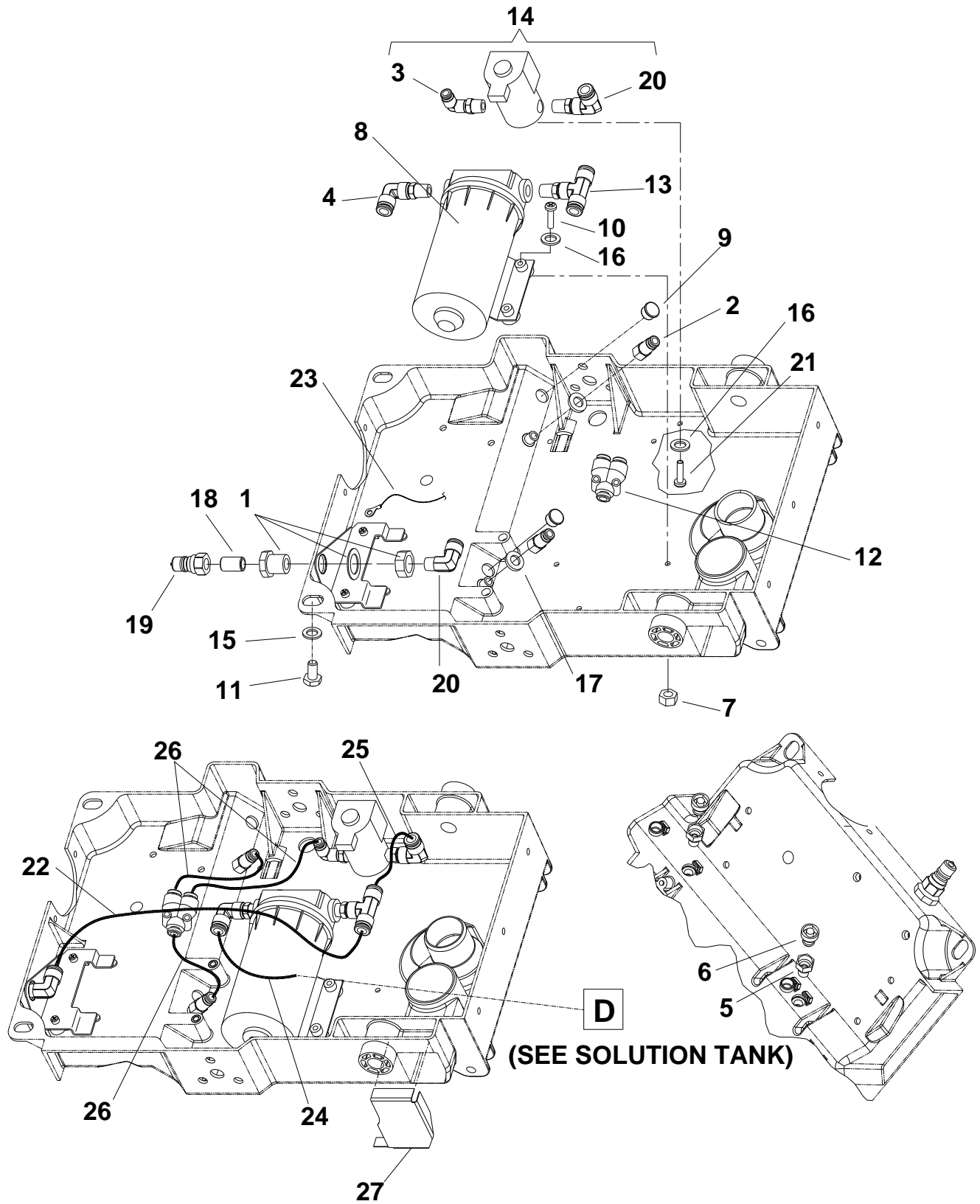
How to Use this Spare Parts List	2
Table of Contents	3
Frame	4
Brush	6
Pump	8
Vacuum Shoe	10
Control Panel	12
Solution Tank	14
Recovery Tank	16
Wiring Diagram	18
Serial Number	19



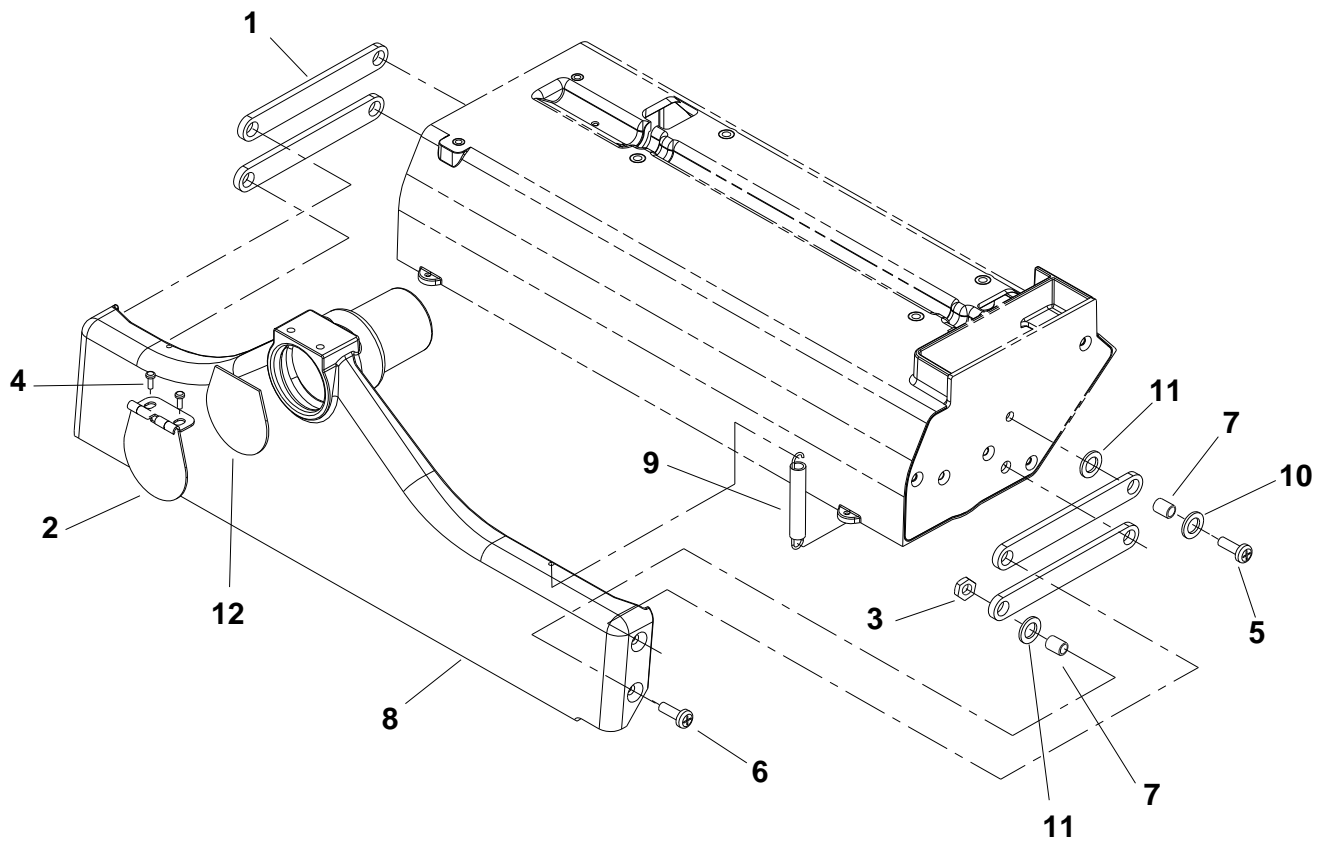
REF	PART NO.	QTY	DESCRIPTION	SERIAL NO. FROM	NOTES
1	86300070	2	HUBCAP, 9.75" WHEEL, BLACK		
2	86003620	1	FRAME, CLP FAMILY		
3	86004340	1	HOSE ASSEMBLY 1.5 BLK VAC X 15.5		
4	86001660	2	HUBCAP, 5/8" SHAFT		
5	86238820	1	HARNESS, MAIN, CLP/ADM		
6	86239610	1	HINGE, TANK TO FRAME		
7	86026150	1	MOTOR ASM, BRUSH CLP FAMILY		
8	86005640	2	NUT, 10-32 HEX NYLOCK STL GR2 ZNPLT		
9	86005810	3	NUT, 1/4-20 HEX NYLOCK SS		
10	86198530	2	FOAM TAPE, 1/8T X 3/4 1SDA		
11	86249430	1	PLATE, BRUSH MTR CLAMP		
12	86006020	1	BELT PULLEY 1.4 OD, 6GR, MICRO-V		
13	86250130	6	PLUG, HOLE, .375" BLK		
14	86250140	2	PLUG, 9/16 OD BLK NYLON		
15	86006580	2	SCREW, 1/4-20 X .58 PHPNHMS SS NP		
16	86273980	2	SCREW, 10-32 X .75 PHPNHMS SS		
17	86005710	3	NUT, 1/4-20 HEXSTRW LK STL ZNPLT		
18	86010630	2	WASHER, 1/4 SS		
19	86010660	2	WASHER 1/4 EXTLK SS		
20	86010650	2	WASHER, .203 X .562 X .032 FLT		
21	86006550	2	SCREW, 10-32 X .25 SCHSET KCP STL NP		
22	86256190	1	STRAIN RELIEF, 90 DEGREE		
23	86276610	1	SCREW, 1/4-20 X 1.25 PHPNHMS SS		
24	86226050	2	WHEEL, 9.75" X 1.5"		
25	86066230	1	AXLE, 5/8 X 17.06L		
26	86134490	10"	HEAT SHRINK, 3/4 ID UL/CSA		
27	86253090	1	SEAL, FRAME/TANK		
28	86002370	1	CLAMP, 7/16 DIA NYLON UL		
29	86233140	1	CLAMP, 2.0" WORM GEAR		
30	86274760	2	SCREW, 1/4-20 X .5 HHCS STL GR5 ZNPLT		
31	86006530	2	SCREW, 1/4-20 X 1 PHPNHMS SS		
32	86272160	1	PIN, ROLL 1/8 X 1 SS		



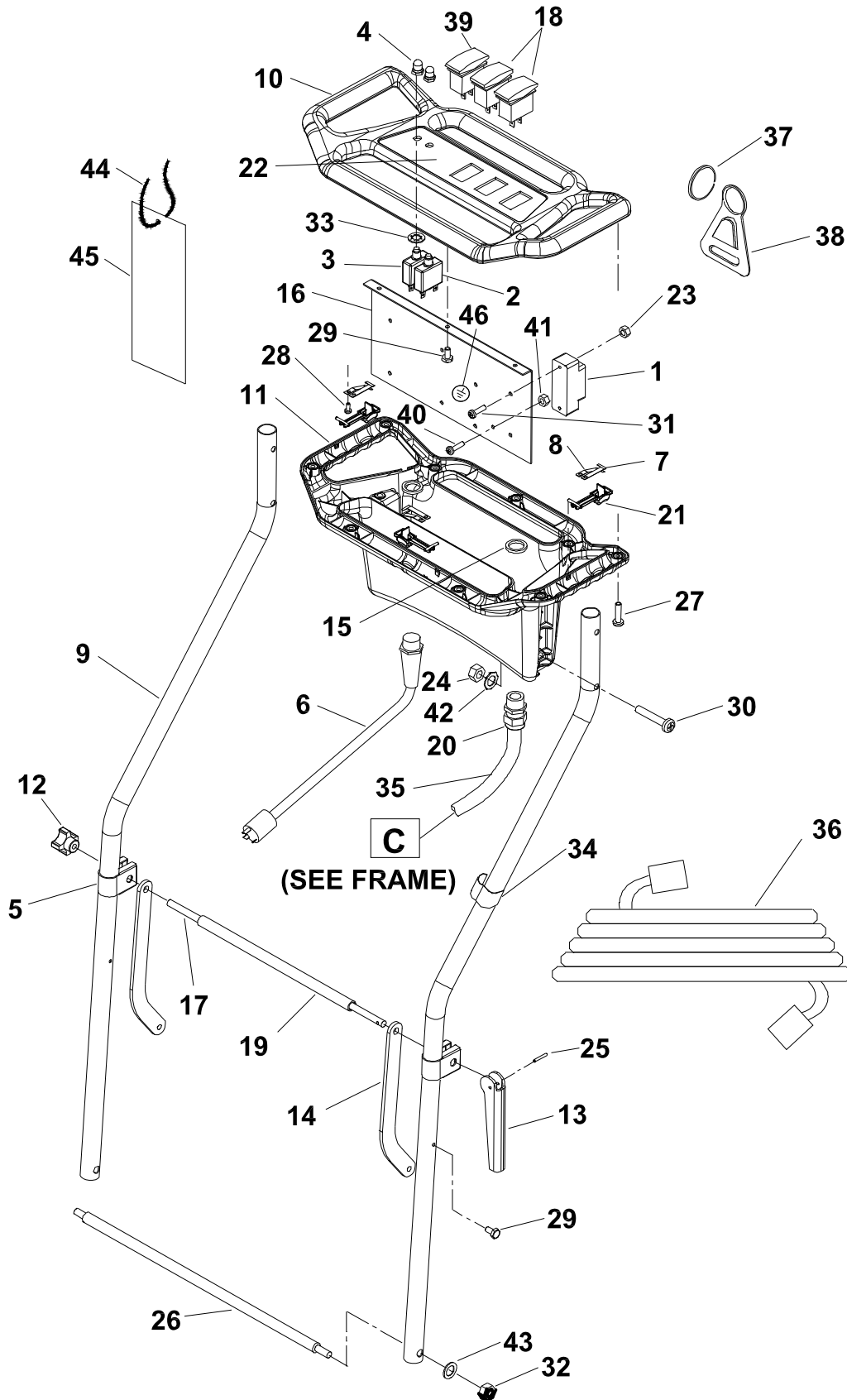
REF	PART NO.	QTY	DESCRIPTION	SERIAL NO. FROM	NOTES
1	86000730	1	AXLE, ROLLER		
2	86228890	2	BEARING R6 3/8 ID		
3	86000900	2	BEARING, .500 X 1.125 X .375 BALL 2RS		
4	86001100	1	BELT 180J6 MICRO-V		
5	86227150	1	ADAPTER, BRUSH BRG. DIE CAST		
6	86001300	1	BRKT, BRUSH PULLEY		
7	86001310	1	BRKT, BRUSH HEIGHT		
8	86008650	2	PIN, COTTER RING 1/4 X .041 X .844		
9	86342240	1	SPACER, .81 X 1.06 X .125		
10	86004470	1	HOUSING, BRUSH 15"		
11	86396740	1	LABEL, BRUSH HEIGHT		
12	86093080	1	LINKAGE, ASM, BRUSH HEIGHT		
13	86005110	1	LINKAGE ASM, ROLLER SUPPORT		
14	86005120	2	LINK, ROLLER, FRONT		
15	86005130	1	LEVER HEIGHT ADJUSTMENT		
16	86005640	4	NUT, 10-32 HEX NYLOCK STL GR2 ZNPLT		
17	86005850	2	NUT, 3/8 PUSH STL		
18	86249410	1	PLATE, BRUSH HOUSING RH		
19	86249420	1	PLATE, BRUSH HOUSING LH		
20	86005930	2	PLATE, AXLE RETAINER		
21	86250680	1	PULLEY, 2.2 OD, 6GR, MICRO-V		
22	86006220	1	PIN, ROLL 1/4 X 1.25 STL ZNPLT		
23	86006430	1	ROLLER, 1.9 DIA X 10.5 LG		
24	86006510	2	SCREW, 10-32 X .625 PHFLHMS SS NP		
25	86006590	8	SCREW, 10-32 X .5 PHPNHMS SS NP		
26	86006650	7	SCREW, 10-32 X .5 PHFLHMS SS		
27	86006700	2	SCREW, 10-32 X .375 PHFLHMS SS		
28	86275530	2	SCREW, 10-24 X .5 SCHCS SS		
29	86010640	4	WASHER, #10 LOCK EXT STAR SS		
30	86010650	6	WASHER, .203 X .562 X .032 FLT		
31	86007030	4	SCREW, 1/4-20 X .625 PHTRHMS STL DL		
32	86230620	1	BRUSH, 15L X 3.35OD G2		
33	86251710	1	RING, TOLERANCE 7/8 ID X 1/2 W		
34	86003070	1	CLIP, BEARING		
35	86003370	1	DRIVER, BRUSH		
36	86278130	1	SHOULDER BOLT, 3/8 X .375L SS NP		
37	86272770	1	RING, 1/2 EXT. SNAP		
38	86272510	2	PIN, CLEVIS 1/4 X .5 STL ZNPLT		
39	86006030	1	PULLEY ASM, BRUSH		
40	86003390	1	DRIVER ASM, BRUSH		
41	86001140	1	BRUSH ASM, 15 IN		
42	86004750	REF	KIT, BRNG/ADPTR EXTCTR		



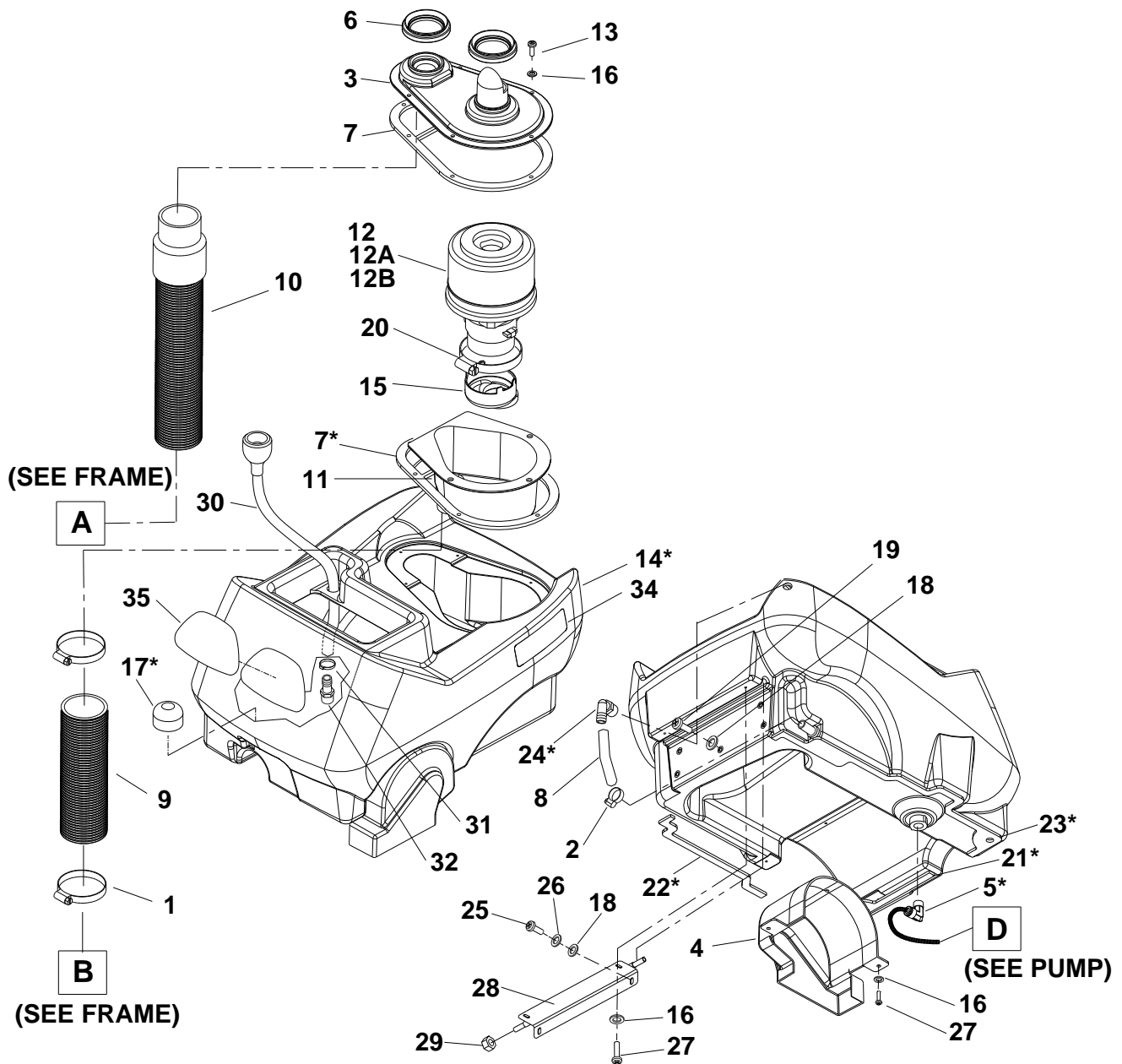
REF	PART NO.	QTY	DESCRIPTION	SERIAL NO. FROM	NOTES
1	86002470	1	COUPLING, 1/4 ANCHOR W/1" HEX		
2	86002480	2	CONNECTOR, 1/8FPT X 1/4 TUBEQC		
3	86003470	1	ELBOW, SWIVEL, 1/4MPTX1/4TUBE		
4	86003490	1	ELBOW, SWIVEL, 3/8MPTX3/8TUBEQC		
5	86004570	2	JET BODY, MINI PROMAX BODY		
6	86241680	2	JET, MINI PROMAX 9503		
7	86005640	2	NUT, 10-32 HEX NYLOCK		
8	86026390	1	PUMP ASM, 115V 100 PSI W/CONN		
9	86250140	2	PLUG, 9/16 OD BLK NYLON		
10	86274410	2	SCR, 10-32 X 1.25 PPHMS		
11	86273750	2	SCR, 1/4-20 X 5/8 HHCS SS		
12	86003640	1	FITTING, 1/4 TUBE,"Y", QC		
13	86008360	1	TEE, 3/8 MPT X 3/8 TUBE, QC		
14	86026940	1	VALVE ASM, SOLENOID CLP FAMILY		
15	86010810	2	WASHER, 1/4"IDX1.0OD. FLAT SS		
16	86010650	4	WASHER, #10 X 9/16 OD		
17	86010820	2	WASHER, 7/16 X 3/4 X .19RUBBER		
18	86005590	1	NIPPLE, 1/4 CLOSE		
19	86005580	1	NIPPLE, 1/4 FPT QD		
20	86003500	2	ELBOW, 1/4 MPT X 3/8 TUBE, QC		
21	86274290	2	SCR, 10-32 X 3/8 PPHMS SS		
22	86004400	1	HOSE, 3/8 ID NYL11 YLW X 29"		
23	86267400	1	WIRE, 22" GRN/18 76011 X 76011		
24	86281890	1	HOSE, 3/8 URETHANE X 29"		
25	86004350	1	HOSE, 3/8 NYLON X 6"		
26	86281900	3	HOSE, 1/4 URETHANE X 6"		
27	86253020	1	SCREEN, INTAKE		



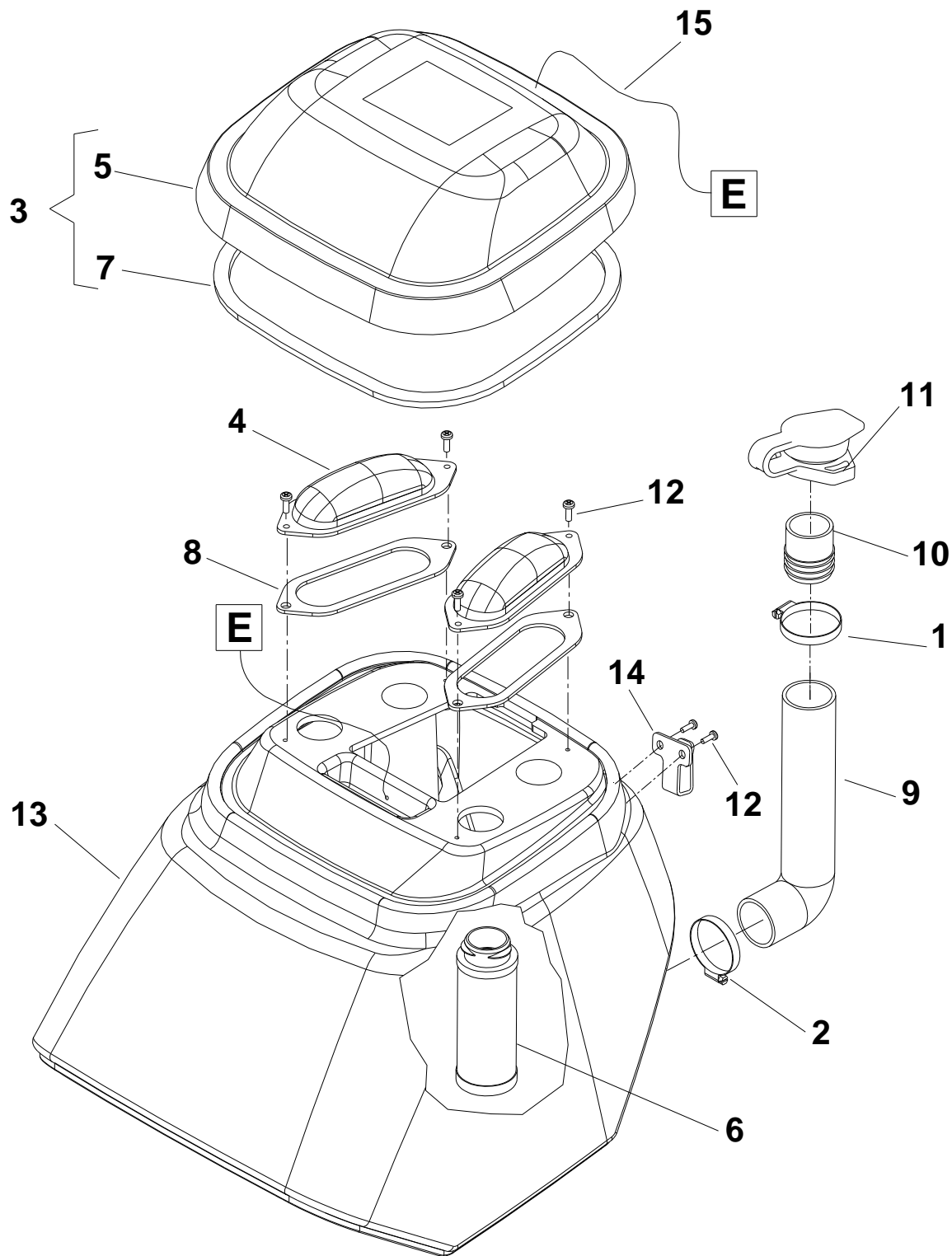
REF	PART NO.	QTY	DESCRIPTION	SERIAL NO.FROM	NOTES
1	86227350	4	ARM, VAC SHOE PARALLEL		
2	86234760	1	COVER, ACCESSORY PORT		
3	86005810	4	NUT, 1/4-20 HEX NYLOCK SS		
4	86006790	2	SCR, 10-32 X 3/8 HHTR W/STAR		
5	86275120	4	SCR, 1/4-20 X.75 PPHMS PHIL		
6	86006840	4	SCR, 1/4-20 X 1 FHCS PLTD		
7	86008130	8	SPACER, 3/8ODX.058WX.2814,CRS		
8	86010620	1	VAC SHOE, 15"		
9	86008120	2	SPRING, EXT .38D X2.75L X.055W		
10	86010630	4	WASHER, 1/4 ID X 5/8 OD SS		
11	86010700	8	WASHER, WAVE 3/8ID X3/4D X.125		
12	86003780	1	GASKET, ACCESSORY PORT		



REF	PART NO.	QTY	DESCRIPTION	SERIAL NO. FROM	NOTES
1	86001240	1	TERMINAL BLOCK, 115V (3-4-3)		
2	86001980	1	BREAKER, 15A 250VAC 50VDC		
3	86230210	1	BREAKER, 6A VDE CIRCUIT		
4	86002010	2	BOOT, 3/8 CIRCUIT BREAKER		
5	86233240	2	CLAMP, HANDLE LOCK		
6	86234320	1	CORD ASM, 14/3 X 22" YLW		
7	86003130	3	CONTACT, ELECTRICAL, FLAT		
8	86003140	3	CONTACT, ELECTRICAL, BENT		
9	86076550	2	HANDLE, ADM8		
10	86004100	1	HANDLE, CONTROL PANEL FRONT		
11	86004110	1	HANDLE, CONTROL PANEL REAR		
12	86004790	1	KNOB, 5/16-18 4 PRONG		
13	86246300	1	LEVER, HANDLE CLAMP		
14	86246650	2	LINK, HANDLE ADJ.		
15	86005670	2	NUT, 1/2 NPT CONDUIT		
16	86081530	1	PLATE, CONTROL PANEL, CLP/ADM		
17	86264270	1	ROD, HANDLE LOCK		
18	86007140	2	SWITCH, SPST 2-POSITION ROCKER		
19	86087410	1	SPACER, .50 ODX.058WX9.84L CRS		
20	86256180	1	STRAIN RELIEF, 1/2 NPT (.48ID)		
21	86401390	3	TRIGGER, SWITCH		
22	86395800	1	LABEL, CONTROL PANEL, CLP/ADM		
23	86005760	2	NUT, 6-32 W/STAR WASHER PLTD		
24	86005810	4	NUT, 1/4-20 HEX NYLOCK SS		
25	86272190	1	PIN, ROLL 1/8" X 5/8"L		
26	86227650	1	AXLE, HANDLE ADM8		
27	86006870	9	SCR, #10 X 3/4 PPHST TYPE B		
28	86006620	6	SCR, 6-32 X 1/4 PPHMS SS		
29	86006790	5	SCR, 10-32 X 3/8 HHTR W/STAR		
30	86274150	4	SCR, 1/4-20 X 1.75 PPHMS SS		
31	86006710	2	SCR, 6-32 X 1.0 PH BLK NYLON		
32	86005750	2	NUT, 5/16-18 HEX NYLOCK		
33	86010750	2	WASHER, 3/8 ID INT.LOCK THIN		
34	86198480	2	CLIP, POWER CORD		
35	86238820	REF	HARNESS, MAIN CLP/ADM		
36	86234110	1	CORD SET,14/3 SJTW-A X 50' YLW		
37	86272840	1	RING, 2" DIA SPLIT		
38	86256170	1	STRAIN RELIEF, CORD HOOK		
39	86007200	1	SWITCH, DPDT3-POSITION ROCKER		
40	86006830	1	SCR, 10-32 X 1" PPHMS		
41	86005700	3	NUT, 10-32 W/STAR WASHER PLTD		
42	86010660	1	WASHER, 1/4 LOCK EXT STAR SS		
43	86010670	2	WASHER, 5/16 FLAT SS		
44	86002870	1	CORD, 99807 1/8 X 12"		
45	86396880	1	CARD, INSTRUCTION ADM8		
46	86245040	1	LABEL, GROUND SYMBOL		

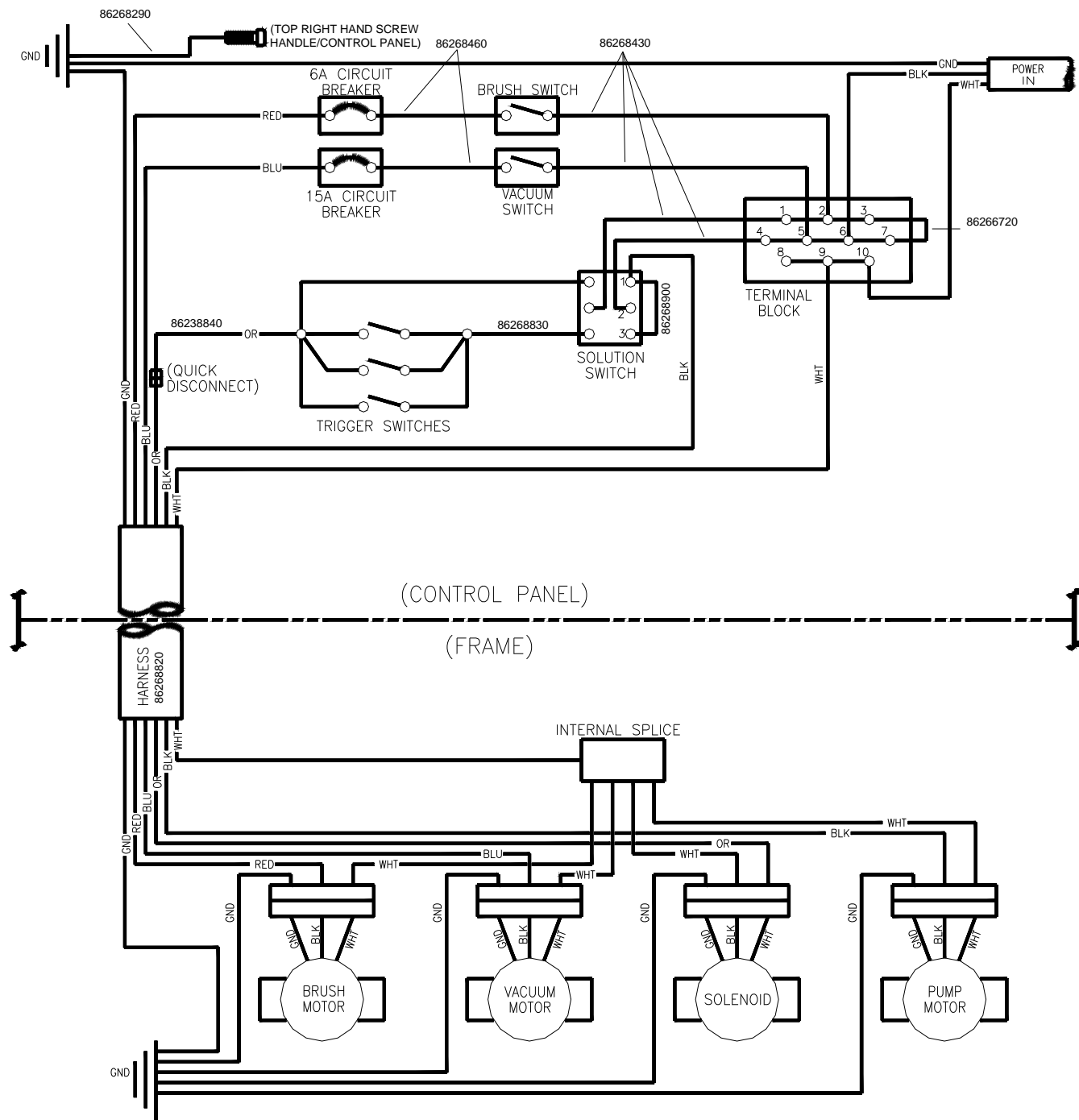


REF	PART NO.	QTY	DESCRIPTION	SERIAL NO.FROM	NOTES
1	86233140	2	CLAMP, 2.0" WORM GEAR		
2	86233150	1	CLAMP, 3/8 HOSE (D-SLOT)		
3	86003080	1	COVER, VAC MOTOR		
4	86003090	1	COVER, BELT		
5	86235500	1	ELBOW, 3/8 MPT X 3/8 TUBE, PLASTIC		
6	86003790	2	GASKET, TANK TO VAC COVER		
7	86003920	2	GASKET, VAC COVER (CLP FAMILY)		
8	86281880	1	HOSE, 1/2 CLEAR X 12		
9	86240090	1	HOSE, 1.5 BLK VAC X 3.0		
10	86004340	REF	HOSE ASM, 1.5 BLK VAC X 15.5		
11	86240980	1	HOUSING, VAC MOTOR		
12	86026880	1	VAC MOTOR ASM, CLP FAMILY		
12A	86135340	-	BRUSH SET, 120V 5.7 VAC, AMATEK		SERVICE ONLY
12B	86135320		BRUSH SET, 120V VAC, WINDSOR		SERVICE ONLY
13	86275690	6	SCR, #10 X 1.0 PPHST TYPE B		
14	86032260	1	TANK, ADM SOLUTION		
15	86259060	1	VENT, COOLING AIR SMALL		
16	86010650	10	WASHER, #10 X 9/16 OD		
17	86007970	1	STRAINER, 3/8 IN. NPT 60 MESH		
18	86010630	5	WASHER, 1/4 ID X 5/8 OD SS		
19	86006580	3	SCR, 1/4-20 X 1/2 PPHMS SS DL		
20	86233260	1	CLAMP, 3.5" WORM GEAR		
21	86003950	1	GASKET, TANK, L-F		
22	86003960	1	GASKET, TANK, L-R		
23	86003970	1	GASKET, TANK, RH		
24	86197940	1	HOSEBARB, 3/8MPTX1/2 90D DL		
25	86275120	2	SCR, 1/4-20 X.75 PPHMS PHIL		
26	86010660	2	WASHER, 1/4 LOCK EXT STAR SS		
27	86006600	4	SCR, #10 X 3/4 PPHST TYPE B		
28	86095840	1	WELDMENT, HANDLE PIVOT ADM8		
29	86005810	2	NUT, 1/4-20 HEX NYLOCK SS		
30	86260690	1	HOSE ASSY- FILL HOSE		
31	86233090	1	CLAMP, 1/4 ID HOSE		
32	86197920	1	HOSEBARB, 1/2MPT X 3/8 DL		
33	86026670	1	TANK ASM, SOLUTION ADM8		*ITEMS INCLUDED
34	86395790	2	LABEL, ADMIRAL SIDE		
35	86395400	1	LABEL, WINDSOR LOGO DOMED		



REF	PART NO.	QTY	DESCRIPTION	SERIAL NO.FROM	NOTES
1	86002400	1	CLAMP, 2.0" WORM GEAR X .312		
2	86233140	1	CLAMP, 2.0" WORM GEAR		
3	86003330	1	DOME ASM		
4	86003110	2	COVER, REC. TANK		
5	86235280	1	DOME, CLP FAMILY		
6	86003630	1	FLOAT SHUT-OFF		
7	86003910	1	GASKET, DOME		
8	86003930	2	GASKET, PORT COVER		
9	86004200	1	HOSE, 1.5 X 12.0 DRAIN		
10	86004510	1	HOSE, INSERT		
11	86401400	1	HOSE, CAP		
12	86006600	6	SCR, #10 X 3/4 PPHST TYPE B		
13	86032270	1	TANK, ADM RECOVERY		
14	86001370	1	BRKT, HOSE HOOK		
15	86002870	1	CORD, 99807 1/8 X 12"		

Wiring Diagram



REF. NO.	MODEL: SERIAL #
1	N/A